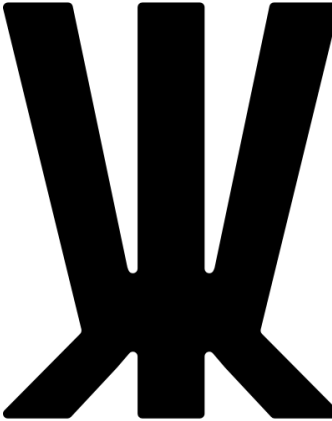


# BIKINI



# TEST

Bikini Test / Association KA  
Joux-Perret 3  
2300 La Chaux-de-Fonds  
Switzerland

## Stage Specs

Stage dimensions	Height :	0.8 m / 2.62 ft	Width :	8 m / 26.24 ft	Depth :	4 m / 13.12 ft
Backstage dimensions	Height :	0.8 m / 2.624 ft	Width :	6 m / 19.68 ft	Depth :	1 m / 3.28 ft
Dist to lightning pipes (From the stage)	Height :	4 m / 13.12 ft				
Power	Direct 235 V		Contact us for the power adapters, if different than EU standard			

## Sound Specs

According to the swiss law the SOUND LEVEL LIMIT is : 100 db LeqA 60min

### Main Stage

PA	6	L-Acoustics A15
	4	L-Acoustics SB28
	3	L-Acoustics LA8
	2	L-Acoustics X8 (Front Fill)

FOH	Console	1	Yamaha CL5
		1	Rio 3224-D2 DANTE
		1	Rio 1608-D2 DANTE
	Misc	1	10easy sound level meter

MON MONITORS ARE OPERATED FROM FOH / NO MONITORING DESK

Wedge	10	L-Acoustics 115XT HiQ
	4	L-Acoustics LA8

### Small Stage

PA	2	L-Acoustics 108P
	1	L-Acoustics 15P

FOH	Console	1	Yamaha QL1
-----	---------	---	------------

MON MONITORS ARE OPERATED FROM FOH / NO MONITORING DESK

3	B-HYPE12 DB Technologies
---	--------------------------

MISC	Mics	2	AKG C414 XLII	
		2	AKG C535EB	
		1	AKG D112	
		2	Audix D6	
		1	Beyerdynamics M88TG	
		3	Beyerdynamic OPUS88	
		2	MBHO MBC660	
		4	Sennheiser MD521	
		3	Sennheiser e904	
		5	Sennheiser e604	
		1	Sennheiser e608	
		1	Sennheiser e906	
		8	Shure SM57	
		6	Shure SM58	
		4	Shure Beta57	
		3	Shure Beta58	
		1	Shure Beta87A	
		1	Shure Beta91A	
		3	Shure Beta98	
		1	Shure Beta52	
		2	Shure KSM32	
		2	Telefunken USA M80	
		DI	5	Radial Engineering JDI
			2	Whirlwind Director/w. Jensen Transformers
			2	Klark Teknik LBB100

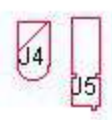
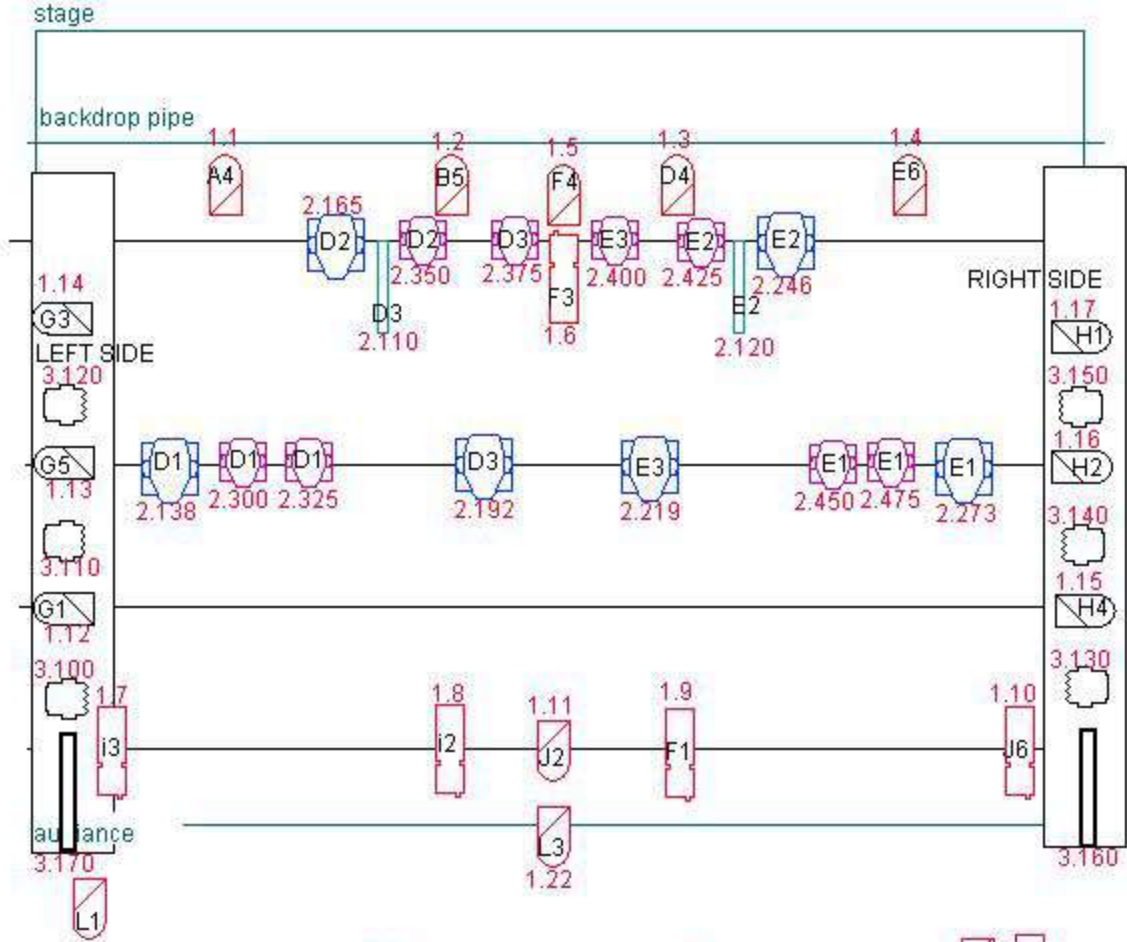
2 Klark Teknik DN100  
 1 Palmer Stereo Pasie  
 2 Palmer PAN02  
 3 BSS AR133  
 2 Radial Engineering TWIN ISO


## Light Specs

<b>FOH</b>	Console	1	Avolites Pearl Expert Titan	
<b>Fixtures</b>	Profile	8	Martin Professional MAC Quantum Profile	
		12	Martin Professional MAC Aura XB	
		10	Martin Rush PAR 2 RGBW Zoom	
	Conventional	36	Par 64, CP 60,61,62 Single	
		6	ADB C101 PC	
		8	ETC S4 Jr Zoom	
		10	SHOWTEC Sunstrip Active MKII	
		2	DTS 2 lamp blinder	
		Fog	1	Haze base
		Strob	1	Martin Atomic 3000
<b>Dimming</b>	Dimmers	1	Avolites T4 36 dimmer + 12 direct	
		20	Socapex outupts	
		1	Wieland patchbay	
		1	32A three phase CEE Utility output	
		2	16A mono phase CEE Utility output	

## Backline

<b>GUITAR</b>	Head	1	Marshall JCM2000 DSL100
	Cabinet	1	Marshall 1960 4x12 Lead Bottom
		1	Randall
<b>DJ</b>	Turntables	4	Technics SL1210 MKII
		2	Pioneer XDJ1000 MKII
	Mixer	1	Pioneer DJM900NXS



-  MARTIN RUSH 2 - 9CH
-  PC 1KW
-  PAR 64
-  DEPOUPE
-  MAC AURA - 14CH
-  MAC QUANTUM - 27CH
-  SUNSTRIP - 10CH

## Video

SCREEN 1 Vario 64, 16:9, 440x250cm

### CONTACTS

Technical Director  
Promoter

Gwenaël Bonfanti  
Joan Dubois

technique@bikinitest.ch  
booking@bikinitest.ch

This rider is subject to minor changes - Updates will be forwarded

